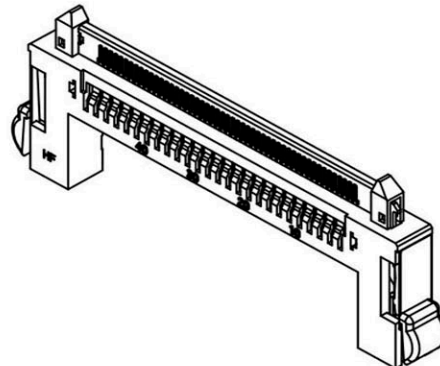


■ HOUSING

- Pitch: 0.5mm(0.02")
- Material:
- ① Housing: LCP, UL 94V-0
- ② Lock spring: Stainless steel
- ③ Shell: Stainless steel



CIRCUITS	DIMENSION		
	A	B	C
21	21.30	17.60	10.00
31	26.30	22.60	15.00
41	31.30	27.60	20.00
51	36.30	32.60	25.00

Note:
 Current Rating: Initial:40mΩ Max.After test: Δ40mΩ Max.
 Voltage Rating: 200V(Max)
 Operating Temp: -40°C~80°C
 Insulation Resistance:100 MΩ
 Dielectric Withstanding Voltage:500V AC 1 min.
 Contact resistance:100V DC for 1 min.

RoHS Compliant		HSM 玄茂科技股份有限公司 HSUAN MAO TECHNOLOGY CO., LTD.	
APPD. 核准	SCALE 比例	TOLERANCE 容許公差	PART NAME 品名
DWG. 製圖	UNIT 單位	SIZE 線張尺寸	0.5mm LVDS HOUSING XXP WITH LOCK SPRING BLACK COLOR (HALOGEN FREE) MATERIAL : LCP UL94-V0 ROHS
DATE 制表日	PAGE 張數	REV. 版本	PART NO. 料號
2020/7/17	1 OF 1	A	H1005-XXPYB000H