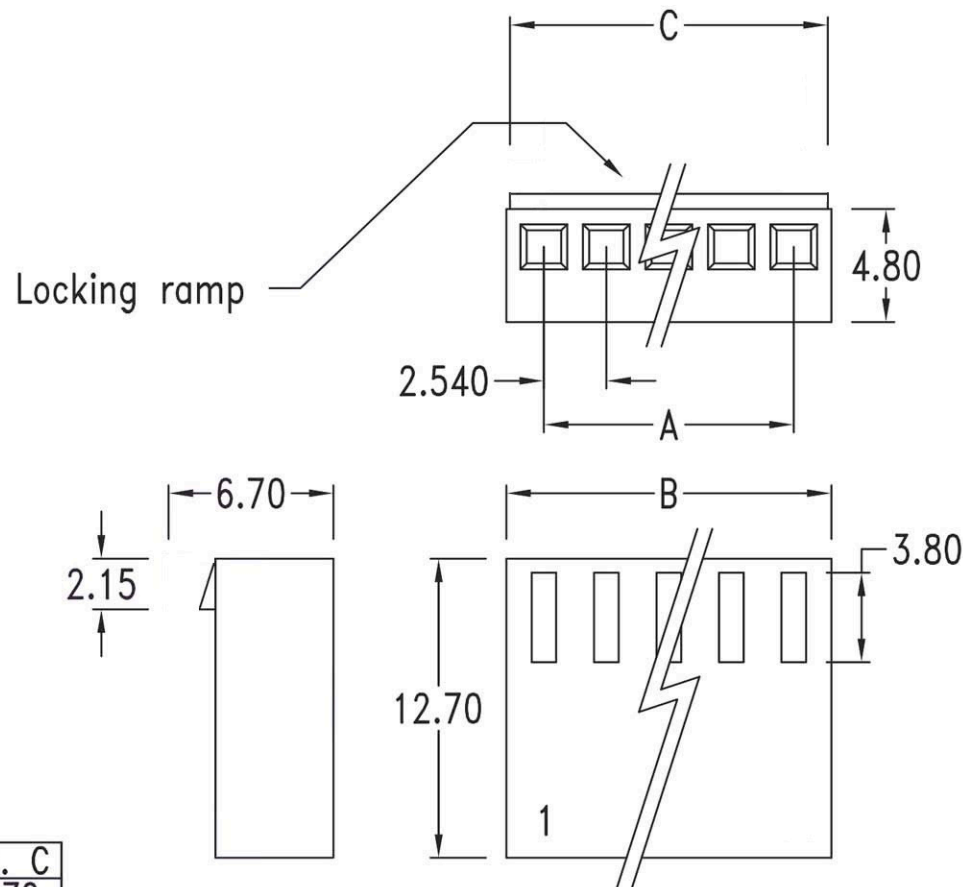


Features:

- 2 ~ 20 circuits available
- Material: UL 94V-0 nylon 66
- Molded friction lock

Specifications:

- Current rating: 3A AC, DC
- Voltage rating: 250V AC, DC
- Insulation resistance: 1000MΩ min.
- Dielectric withstanding voltage: 1500V AC/minute
- Ambient temperature range: -40°C ~ 105° C



Dimensional Information (mm)

Circuits	Dim. A	Dim. B	Dim. C	Circuits	Dim. A	Dim. B	Dim. C
2	2.54	5.60	5.30	12	27.94	31.00	30.70
3	5.08	8.14	7.84	13	30.48	33.54	33.24
4	7.62	10.68	10.38	14	33.02	36.08	35.78
5	10.16	13.22	12.92	15	35.56	38.62	38.32
6	12.70	15.76	15.46	16	38.10	41.16	40.86
7	15.24	18.30	18.00	17	40.64	43.70	43.40
8	17.78	20.84	20.54	18	43.18	46.24	45.94
9	20.32	23.38	23.08	19	45.72	48.78	48.48
10	22.86	25.92	25.62	20	48.26	51.32	51.02
11	25.40	28.46	28.16				

RoHS
Compliant

HSM 玄茂科技股份有限公司
HSUAN MAO TECHNOLOGY CO., LTD.

APPD.
核准
DWG.
製圖
DATE
2018/1/30

SCALE
比例
UNIT
單位
PAGE
張數
1 OF 1

TOLERANCE
容許公差
0 ± 0.35
.00 ± 0.25
ANG. ± 3°
SIZE
紙張尺寸
A 4
REV.
版本
A
PART NAME 品名
2.54mm HOUSING 1X??P WITH LOCKING RAMP
WITHOUT POLARIZING RIBS NYLON 66 UL94V-0
WHITE INSULATOR ROHS
PART NO.
料號
H2415-XXPAW100R