

1 2 3 4 5 6 7 8

A

B

C

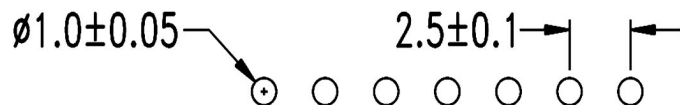
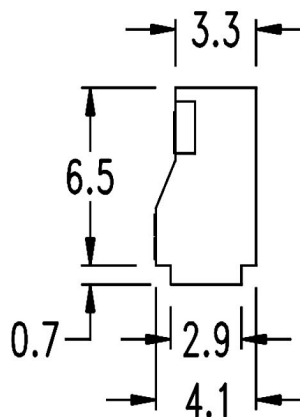
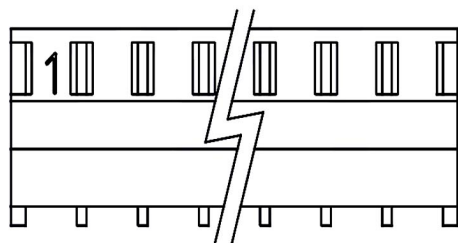
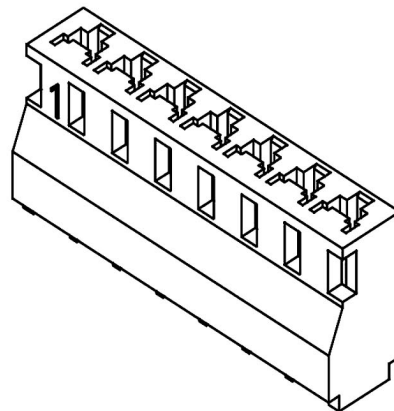
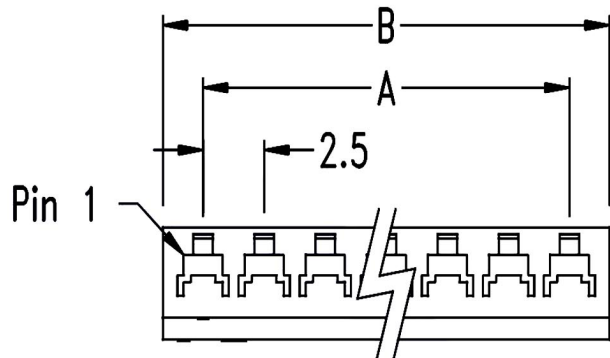
D

E

F

G

H



P. C. board hole dimension

Features:

- 2 ~ 20 circuits available
- Material: UL 94V-0 nylon 66
- Applicable P. C. board thickness: .063"(1.6mm)

Specification:

- Current rating: 3A AC, DC
- Voltage rating: 250V AC, DC
- Insulation resistance: 1000MΩ Min.
- Dielectric withstanding voltage: 1000V AC/minute
- Ambient temperature range: -40°C ~ 105°C

Dimensional Information (mm)

Circuits	Dim. A	Dim. B
N	$2.5 \times (N - 1)$	$2.5 \times N + 0.8$

&& N = 2 ~ 20

RoHS Compliant		玄茂科技股份有限公司 HSUAN MAO TECHNOLOGY CO., LTD.	
APPD. 核准	SCALE 比例 参考	UNLESS OTHERWISE SPECIFIED TOLERANCE .000 ± 0.08 (mm) .00 ± 0.25 (mm) .0 ± 0.4 (mm)	PART NAME 品名 2.5mm Board-In Type Housing 180° 1XXXPin Beige Color ROHS
DWG. 製圖 Betty	UNIT 單位 M M	SIZE. 紙張尺寸 A 4	PART NO. 料號 H2512-XXPC0000R
DATE 制表日 2019/12/25	PAGE 張數 1 OF 1	REV. 版次 A	

1 2 3 4 5 6 7 8

A

B

C

D

E

F

G

H