

Features:

- 2 ~ 8 circuits available
- Material: Nylon 9T, UL 94V-0

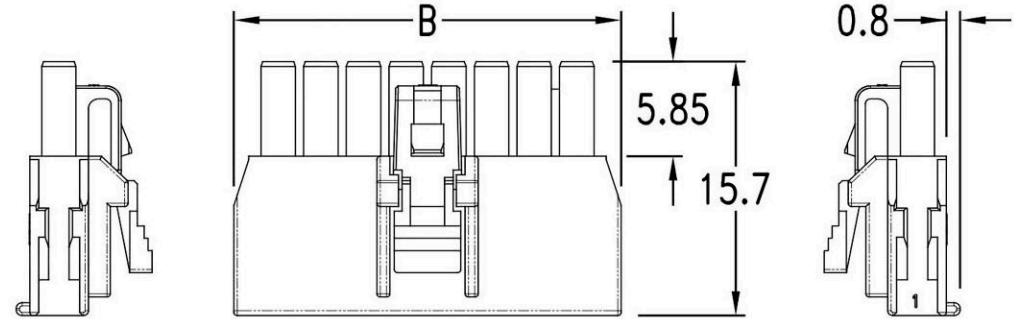
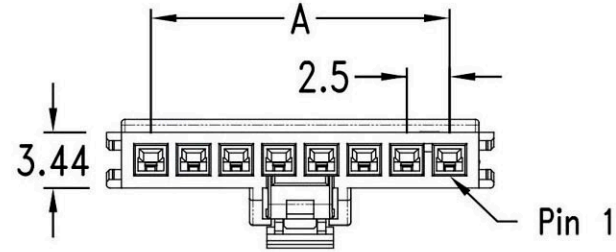
Specification:

- Current rating: 6.5A AC, DC for 2 poles
4.5A AC, DC for other poles
- Voltage rating: 250V AC, DC
- Insulation resistance: 1000MΩ Min.
- Dielectric withstanding voltage: 1500V AC/minute
- Ambient temperature range: -40°C ~ 105°C

Dimensional Information (mm)

Circuits	Dim. A	Dim. B
N	2.5 x (N - 1)	2.5 x N + 2.7

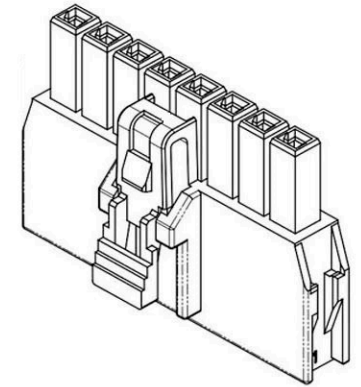
&& N = 2 ~ 8



Ordering Information

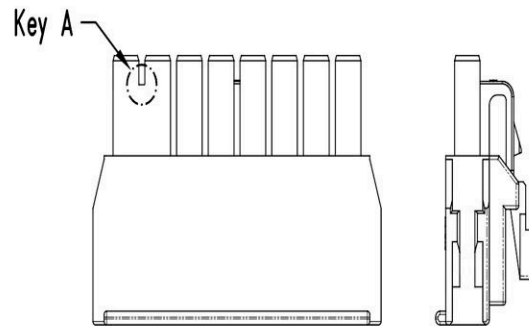
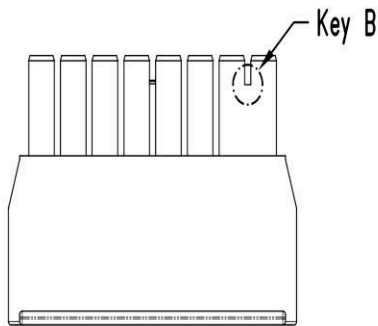
Part No.	Color	Mating parts: Headers
H2531-XXPSBB00R	Black	W2531-XXPSSTNBGR / W2531-XXPSRTNBGR
H2531-XXPSBC00R	Natural	W2531-XXPSSTNCGR / W2531-XXPSRTNCGR

&& xx = 02 ~ 08



H2531-XXPDBC00R ↓

H2531-XXPDBB00R ↓



<p>RoHS Compliant</p>		<p>HSM 玄茂科技股份有限公司 HSUAN MAO TECHNOLOGY CO., LTD.</p>	
<p>APPD. 核准</p>		<p>TOLERANCE 容許公差</p> <p>0 ± 0.40</p> <p>.00 ± 0.25</p> <p>ANG. ± 3°</p>	<p>PART NAME 品名</p> <p>Nano-Fit 2.5mm Female Housing Single Row 1X?Pin Material:Nylon 9TROHS</p>
<p>DWG. 製圖</p> <p><i>Helen</i></p>	<p>SCALE 比例</p> <p>參考</p>	<p>UNIT 單位</p> <p>MM</p>	<p>PART NO.</p> <p>料號 H2531-XXPSBX00R</p>
<p>DATE 制表日</p> <p>2019/9/27</p>	<p>PAGE 張數</p> <p>1 OF 1</p>	<p>SIZE 紙張尺寸</p> <p>A 4</p>	<p>REV. 版本</p> <p>A</p>