

Features:

- 2 ~ 12 circuits available
- Material: nylon 66 UL 94V-2 or UL 94V-0

Dimensional Information (mm)

Circuits	Dim. A	Dim. B	Circuits	Dim. A	Dim. B
2	4.20	9.6	8	29.40	34.8
3	8.40	13.8	9	33.60	39.0
4	12.60	18.0	10	37.80	43.2
5	16.80	22.2	11	42.00	47.4
6	21.00	26.4	12	46.20	51.6
7	25.20	30.6			

Specification:

- Current rating and wire size:

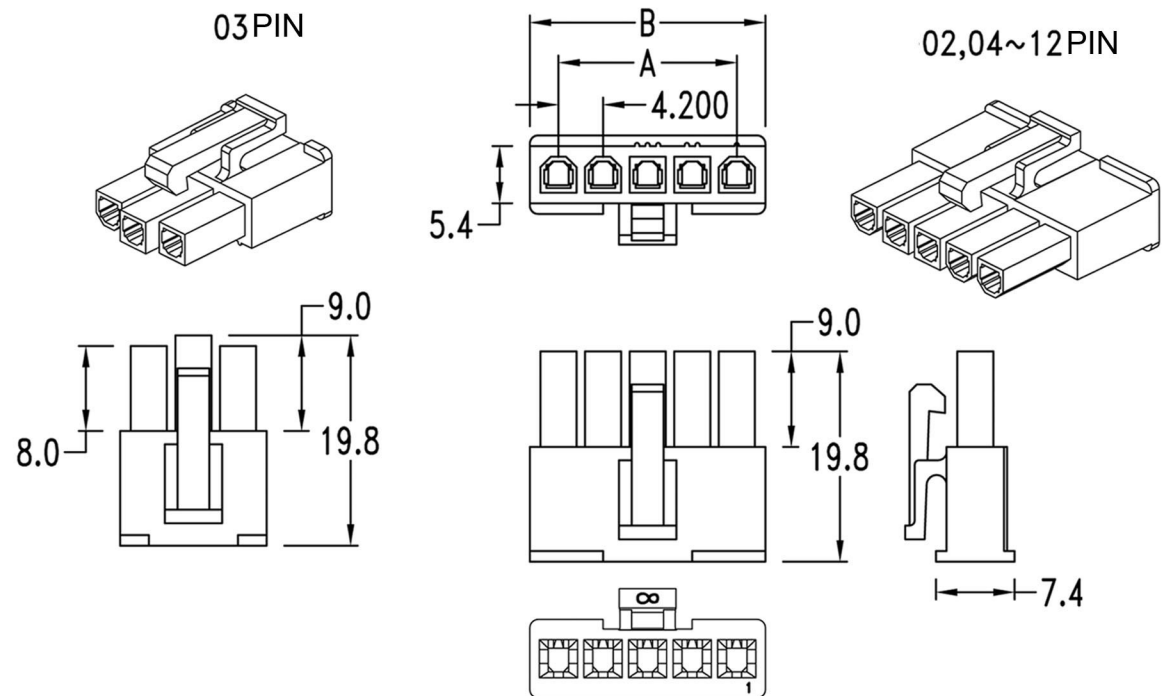
Wire Size AWG	Circuits	
	2, 3	4 ~ 6
# 16	9 A	8 A
# 18	9 A	8 A
# 20	7 A	6 A
# 22	5 A	4 A
# 24	4 A	3 A
# 26	3 A	2 A
# 28	2 A	1 A

Ordering Information

Part No.	Material
H5150-XXPSW000R	UL 94V-2
H5150-XXPSW001R	UL 94V-0

&& xx = 02 ~ 12

- Voltage rating: 600V (R.M.S.)
- Insulation resistance: DC 500V 1000M Ω min.
- Dielectric withstanding voltage: 1500V AC/minute
- Ambient temperature range: -25°C ~ 85°C
(including temperature rise)



RoHS Compliant APPD. 核准 DWG. 製圖 Hedy DATE 制表日 2020/07/31	SCALE 比例 參考 UNIT 單位 MM PAGE 張數 1 / 1	TOLERANCE .000 ± 0.08 (mm) .00 ± 0.25 (mm) .0 ± 0.4 (mm) SIZE. 紙張尺寸 A 4 REV. 版次 B	PART NAME 品名 MINI FIT 4.2mm MALE HOUSING 1XXXP WHITE ROHS PART NO. 料號 H5150-XXPSW00XR
	HSM 玄茂科技股份有限公司 HSUAN MAO TECHNOLOGY CO., LTD.		
	(Additional technical details or notes)		
	(Additional technical details or notes)		