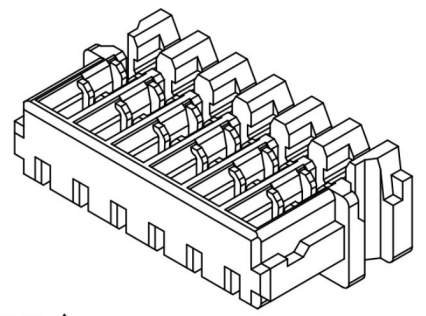
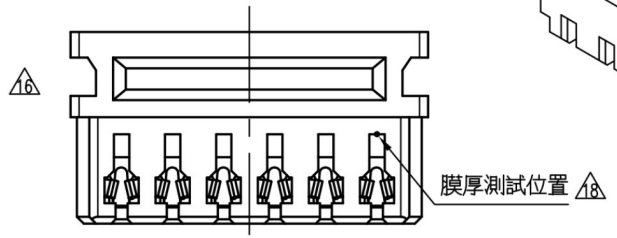
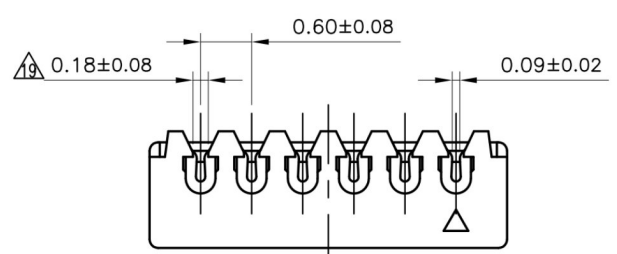
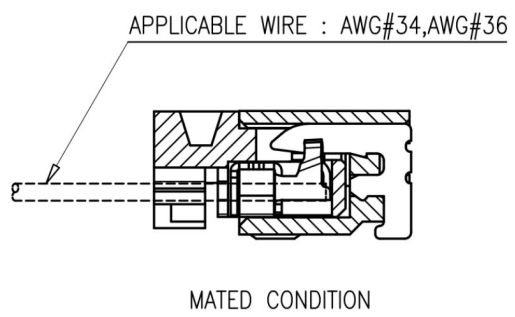
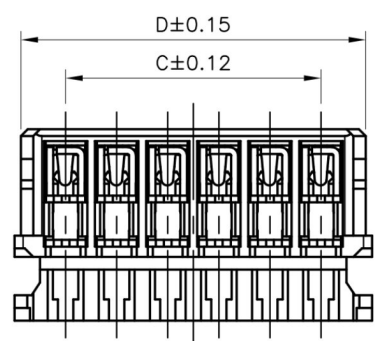
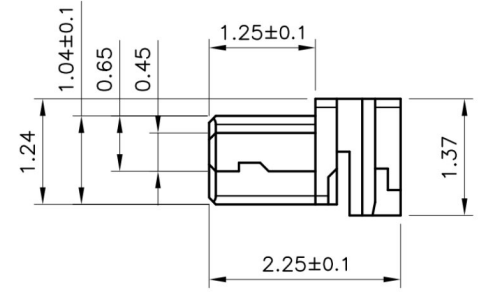
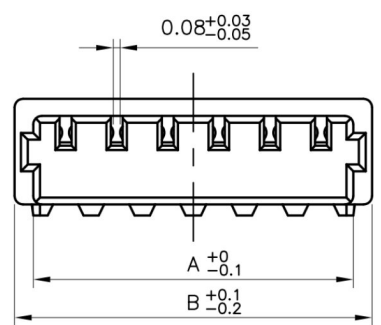


1 2 3 4 5 6 7 8

A
B
C
D
E
F
G
H

A
B
C
D
E
F
G
H



Specifications

Electrical
 Voltage Rating: 30V(AC, DC)
 Current Rating: 0.2A AC DC(AWG#36)
 0.3A AC DC(AWG#34)
 Contact Resistance: 30mΩ max
 Dielectric Withstand Voltage: 200V AC/1min.
 Insulation Resistance: 100MΩ min
 Insulation O.D: 0.29mm(AWG#36)
 0.32mm±0.02(AWG#34)
 Applicable Wire: AWG#36, AWG#34

Material

Circuits: 2, 4, 5, 6, 7, 8, 10, 12, 14, 16
 Insulator: LCP, UL 94V-0
 Color: Black
 Temperature Range: -25°~85°
 Terminal: Phosphor Bronze
 Plating: 1μ" Gold plated over 50μ" Nickel
 100μ" Tin plated over 50μ" Nickel

CIRCUITS	DIMENSION			
	A	B	C	D
2	1.36	1.80	0.60	1.65
4	2.56	3.00	1.80	2.85
5	3.16	3.60	2.40	3.45
6	3.76	4.20	3.00	4.05
7	4.36	4.80	3.60	4.65
8	4.96	5.40	4.20	5.25
10	6.16	6.60	5.40	6.45
12	7.36	7.80	6.60	7.65
14	8.56	9.00	7.80	8.85
16	9.76	10.20	9.00	10.05

RoHS Compliant		玄茂科技股份有限公司 HSUAN MAO TECHNOLOGY CO., LTD.	
APPD. 核准 HELEN	SCALE 比例 参考	TOLERANCES UNLESS NOTED LINEAR ± x ±0.3 .xx ±0.15 .xxx ±0.08 ?	PART NAME 品名 JST XSR 0.6mm IDC HOUSING 1XXXP SUITABLE FOR 34AWG,36AWG BLACK COLOR LCP UL94V-0 ROHS
DWG. 製圖 ABBY	UNIT 單位 M M	SIZE. 紙張尺寸 A 4	PART NO. H6010-XXPA9XB00R
DATE 製表日 2016/12/06	PAGE 張數 1 OF 1	REV. 版次 C	料號 H6010-XXPA9XB00R

1 2 3 4 5 6 7 8