

1 2 3 4 5 6 7 8

A

B

C

D

E

F

G

H

A

B

C

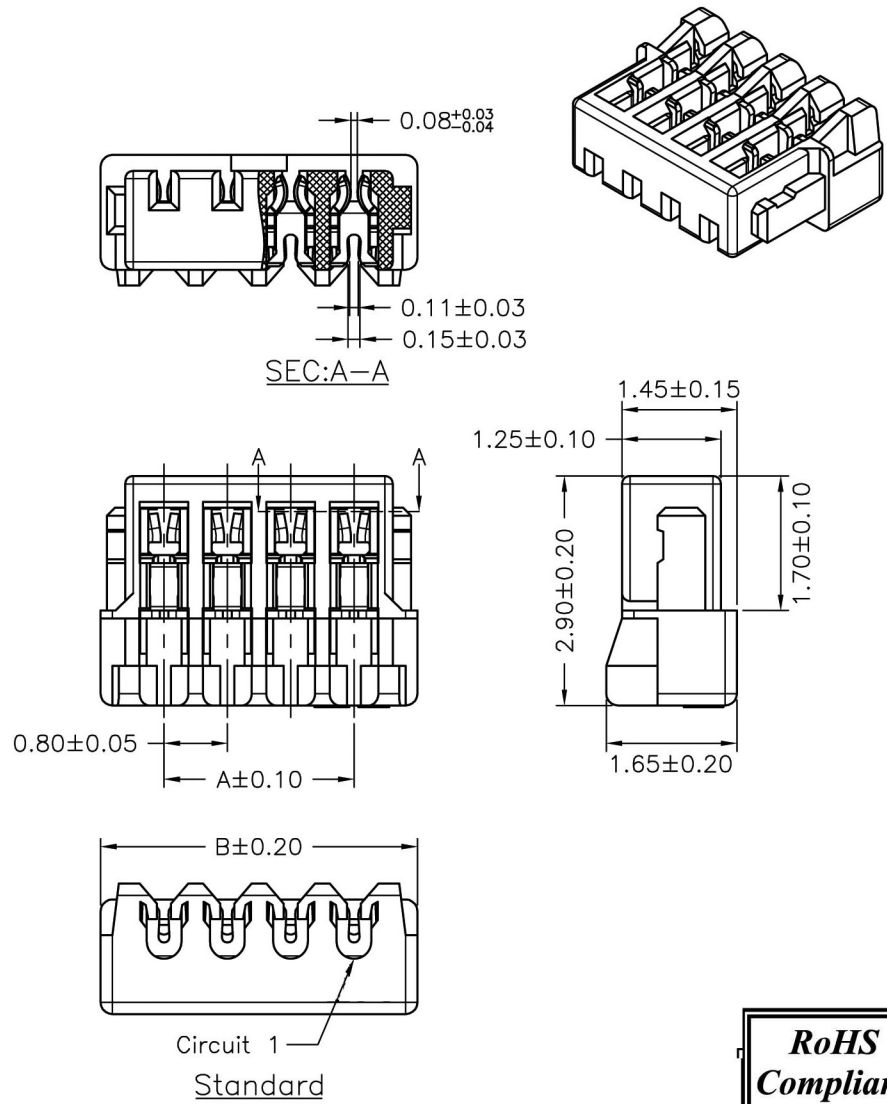
D

E

F

G

H



**SPECIFICATIONS**

Current Rating: 0.5A AC,DC  
 Voltage Rating: 30V AC,DC  
 Temperature Range: -25°C ~ +85°C  
 Contact Resistance: 20mΩ Max.  
 Insulation Resistance: 100MΩ Min.  
 Withstanding Voltage: 200V AC/minute  
 Contacts: Phosphor Bronze/Tin-plated or Gold-flash  
 Material: Nylon 46,UL94V-0  
 Color: Natural(Beige)

Circuit No.	Dimensions		Circuit No.	Dimensions	
	A	B		A	B
02P	0.80	2.40	10P	7.20	8.80
03P	1.60	3.20	11P	8.00	9.60
04P	2.40	4.00	12P	8.80	10.40
05P	3.20	4.80	14P	10.40	12.00
06P	4.00	5.60	15P	11.20	12.80
07P	4.80	6.40	16P	12.00	13.60
08P	5.60	7.20	17P	12.80	14.40
09P	6.40	8.00	20P	15.20	16.80

NOTES:  
 Applicable Wire: AWG#32  
 Insulation O.D.: 0.38mm

<b>RoHS Compliant</b>		<b>HSM 玄茂科技股份有限公司</b> <b>HSUAN MAO TECHNOLOGY CO., LTD.</b>	
APPD. 核准 DWG. 製圖 DATE 制表日 2013/03/22	Hedy	TOLERANCE 容許公差 X.X±0.25 X.XX±0.15 X.XXX±0.05	PART NAME 品名 JST SUR 0.8mm IDC HOUSING 1XXXP BEIGE COLOR ROHS
SCALE 比例 UNIT 單位 M M	SIZE 紙張尺寸 A 4	REV. 版次 A	PART NO. 料號 H8010-XXPITC00R
PAGE 張數 1 / 1			

1 2 3 4 5 6 7 8