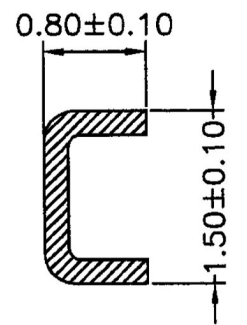
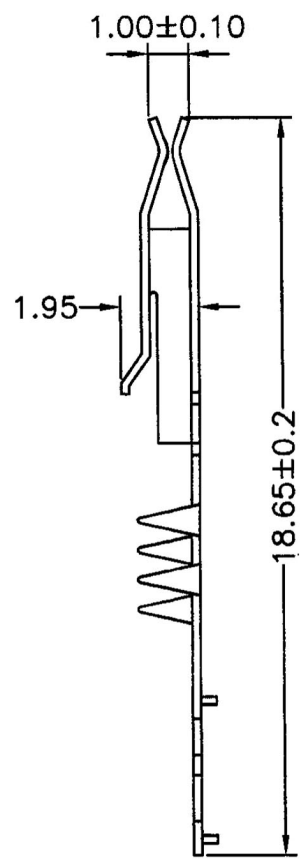
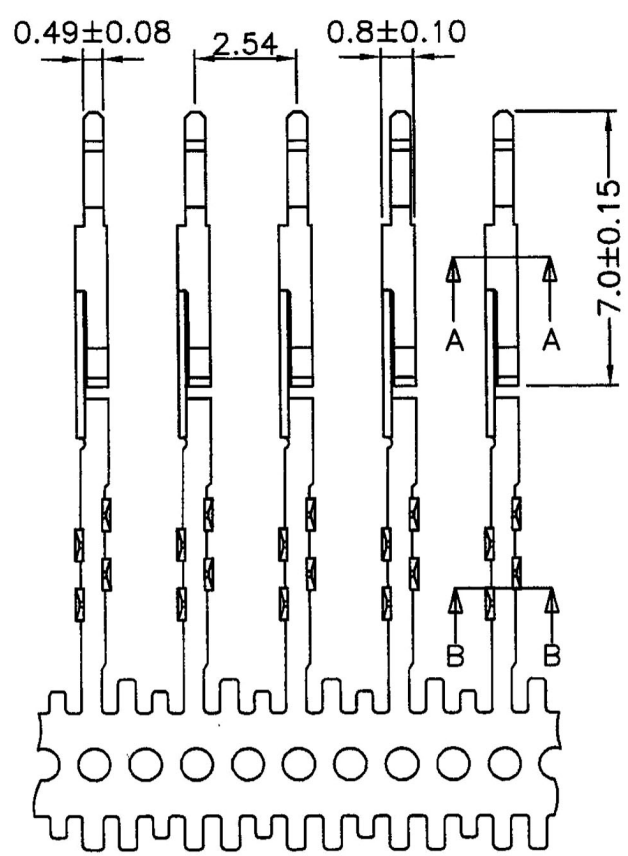
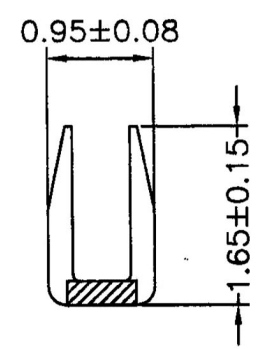


1 2 3 4 5 6 7 8

A
B
C
D
E
F
G
H



SEC A-A



SEC B-B

- * Material: phos bronze
- * Finished: Tin plated
- * Thickness: 0.2~0.25mm FFC/FPC
- * Q'TY: 30,000pcs/reel

RoHS Compliant		HSM 玄茂科技股份有限公司 HSUAN MAO TECHNOLOGY CO., LTD.	
APPD. 核准	 SCALE 比例 参考 UNIT 單位 M M PAGE 張數 1 OF 1	TOLERANCE DIM: 0. ±0.50 0.0 ±0.30 0.00 ±0.20	PART NAME 品名 1.27mm FFC/FPC FEMALE TERMINAL MATERIAL: PHOSPHOR BRONZE TIN PLATING ROHS
DWG. 製圖 Betty		SIZE: 紙張尺寸 A 4	PART NO. 料號 T1271-TFP00000R
DATE 制表日 2020/08/04		REV. 版次 B	

1 2 3 4 5 6 7 8