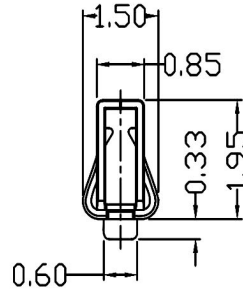
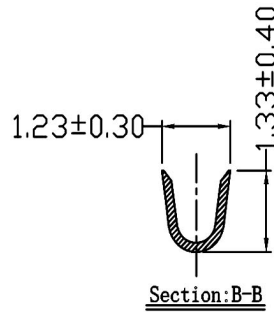
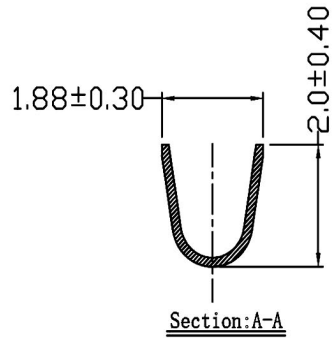


■ Specifications(规格) :

- Voltage rating(额定电压) : 125V AC / DC
- Current rating(额定电流) : 2A AC / DC
- Withstanding voltage(耐压值) : 1000V AC/minute
- Temperature range(工作温度) : -25°C~+85°C
- Insulation resistance(绝缘电阻) :  $\geq 1000M\Omega$
- Contact resistance(接触电阻) :  $\leq 20m\Omega$
- After environmental testing(环境测试后) :  $\leq 30m\Omega$



|                 |            |   |            |
|-----------------|------------|---|------------|
| Phosphor Bronze | AWG#24-30  | Stamping Before Plating:30~50u" Ni;70~120u"Sn | 10,000Pcs  |
| Material        | Wire Range | Finish  | Q' ty/Rell |

RoHS Compliant **HSM** 玄茂科技股份有限公司  
HSUAN MAO TECHNOLOGY CO., LTD.

|             |                |                                     |                                   |
|-------------|----------------|-------------------------------------|-----------------------------------|
| APPD.<br>核准 | SCALE<br>比例 参考 | 一般公差<br>GENERAL TOLERANCE           | PART NAME 品名                      |
| DWG.<br>製圖  |                | . X ±0.3<br>. XX ±0.2<br>. XXX ±0.1 | 2.0mm TERMINAL                    |
| DATE 制表日    | UNIT<br>單位     | SIZE.<br>紙張尺寸                       | MATERIAL:PHOSPHOR BRONZE          |
| 2018/05/04  | PAGE<br>張數     | REV.<br>版次                          | TIN PLATED SUITABLE AWG24~30 ROHS |
|             | 1 OF 1         | A                                   | PART NO.<br>料號                    |
|             |                |                                     | T2002-TPO00000R                   |