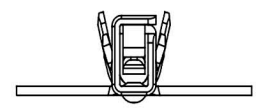
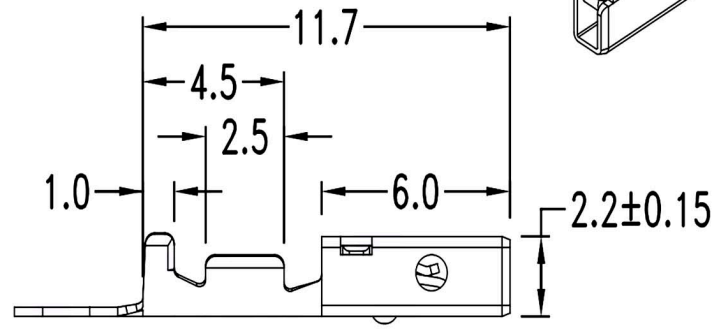
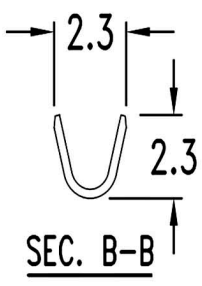
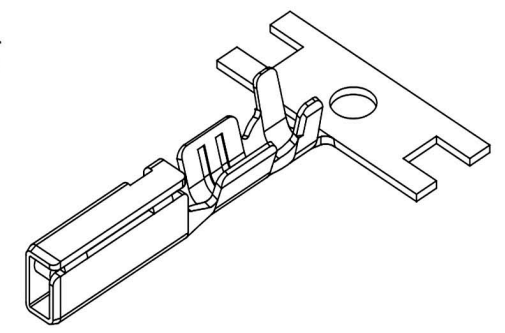
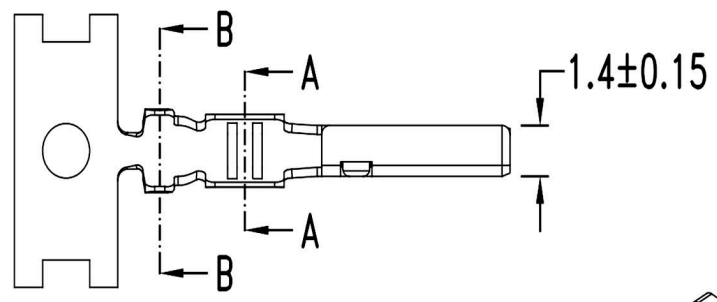
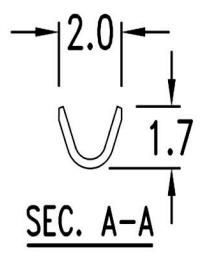


1 2 3 4 5 6 7 8

A
B
C
D
E
F
G
H

A
B
C
D
E
F
G
H



Features:

- Material: Phosphor bronze
- Finished: Tin-plated
- ③ • Wire range: UL 1007 #22 ~ #24 AWG
- Thickness: 0.25mm
- Quantity: 10,000 PCS/Reel

Specification:

- Current rating: 3A AC, DC (#22 AWG)
- ② • Voltage rating: 250V AC, DC
- Contact resistance: Initial value/10mΩ Max.
After environmental testing/20mΩ Max.
- ② • Dielectric withstanding voltage: 1500V AC/minute
- ③ • Ambient temperature range: -40°C ~ 105°C
(Including temperature rise)

RoHS Compliant		HSM 玄茂科技股份有限公司 HSUAN MAO TECHNOLOGY CO., LTD.	
APPD. 核准		UNLESS OTHERWISE SPECIFIED TOLERANCE .000 ± 0.08 (mm) .00 ± 0.25 (mm) .0 ± 0.4 (mm)	PART NAME 品名 2.0MM FEMALE TERMINAL MATERIAL:PHOSPHOR BRONZE TIN PLATING SUITABLE FOR UL1007 22~24AWG REEL PACKING ROHS
DWG. 製圖	Betty	SCALE 比例 參考	PART NO. 料號 T2016-TPA00000R
DATE 制表日	2020/10/27	UNIT 單位 M M	
		PAGE 張數 1 OF 1	
		SIZE. 紙張尺寸 A 4	
		REV. 版次 A	

1 2 3 4 5 6 7 8