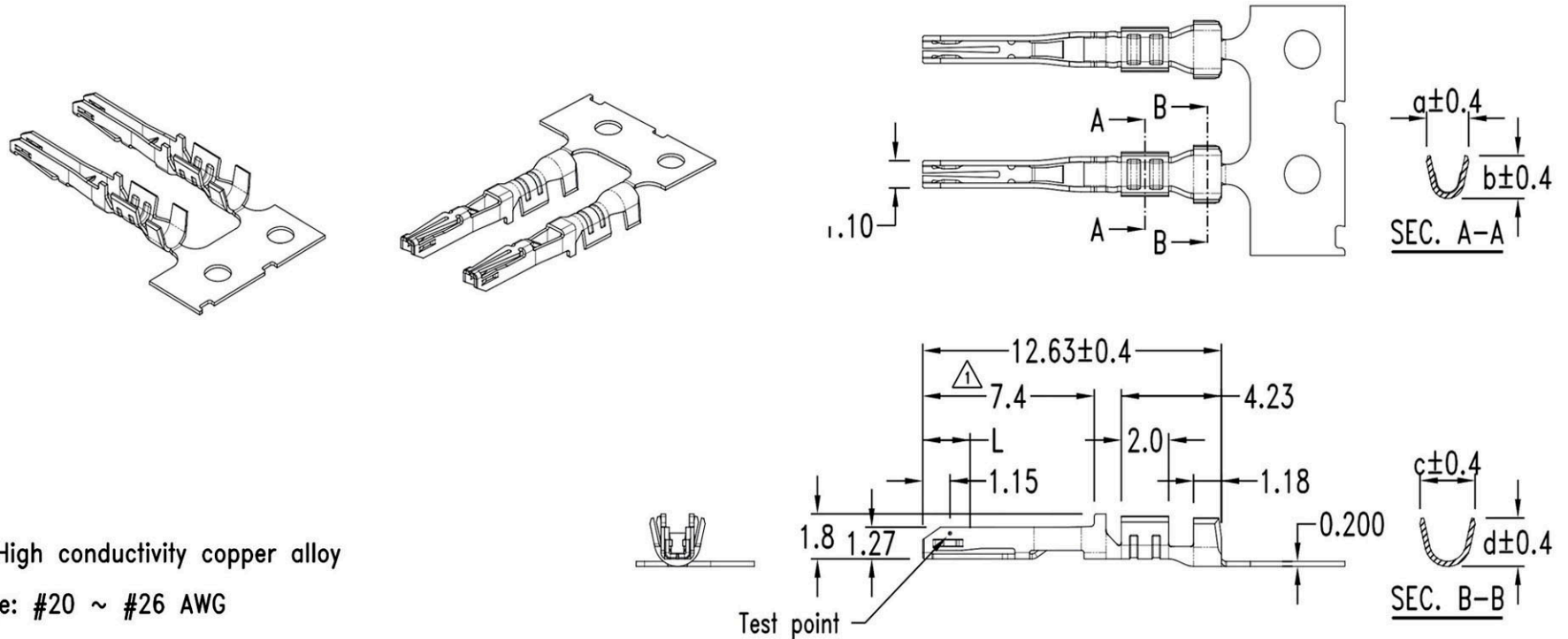


Ordering & dimensional Information ( mm )

| Part No.        | Finished  | Wire range                             | Dim. a | Dim. b | Dim. c | Dim. d |
|-----------------|---|--|--------|--------|--------|--------|
| T2531-THK00000R | Tin-plated 100u" over nickel 30u"   | #24 ~ #26<br>(O.D. $\phi$ 1.27mm Max.) | 1.39   | 1.45   | 2.12   | 2.0    |
| T2531-SHK00000R | Gold-flash xu" over nickel 30u" in contact area ( Dim. L: 2.0 ). Other: Nickel-plated 30u"          |  |        |        |        |        |
| T2531-GHK00000R | Gold-flash xu" over nickel 30u" in contact area ( Dim. L: 2.0 ). Other: Gold-flash over nickel 30u" |  |        |        |        |        |
| T2531-THZ00000R | Tin-plated 100u" over nickel 30u"   | #20 ~ #22<br>(O.D. $\phi$ 1.57mm Max.) | 1.78   | 1.71   | 2.33   | 1.94   |
| T2531-SHZ00000R | Gold-flash xu" over nickel 30u" in contact area ( Dim. L: 2.0 ). Other: Nickel-plated 30u"          |  |        |        |        |        |
| T2531-GHZ00000R | Gold-flash xu" over nickel 30u" in contact area ( Dim. L: 2.0 ). Other: Gold-flash over nickel 30u" |  |        |        |        |        |



Features:

- Material: High conductivity copper alloy
- Wire range: #20 ~ #26 AWG

Specification:

- Current rating: 6.5A AC, DC
- Voltage rating: 250V AC, DC
- Contact resistance: 10m $\Omega$  Max.
- Dielectric withstanding voltage: 1500V AC/minute
- Ambient temperature range: -40°C ~ 105°C

|                    |                |   |   |
|--------------------|----------------|---|---|
| RoHS Compliant     |                | <b>HSM</b> 玄茂科技股份有限公司<br>HSUAN MAO TECHNOLOGY CO., LTD. |   |
| APPD. 核准           | SCALE 比例 参考    | TOLERANCE 容許公差<br>0 ± 0.40<br>.00 ± 0.25<br>ANG. ± 3°   | PART NAME 品名<br>Nano-Fit 2.5mm Female Terminal<br>Material: High Conductivity Copper<br>Reel Packing ROHS |
| DWG. 製圖 Helen      | UNIT 單位 MM     | SIZE 線徑尺寸 A4  | PART NO. T2531-XHX00000R  |
| DATE 制表日 2019/9/27 | PAGE 張數 1 OF 1 | REV. 版本 A   | 料號  |