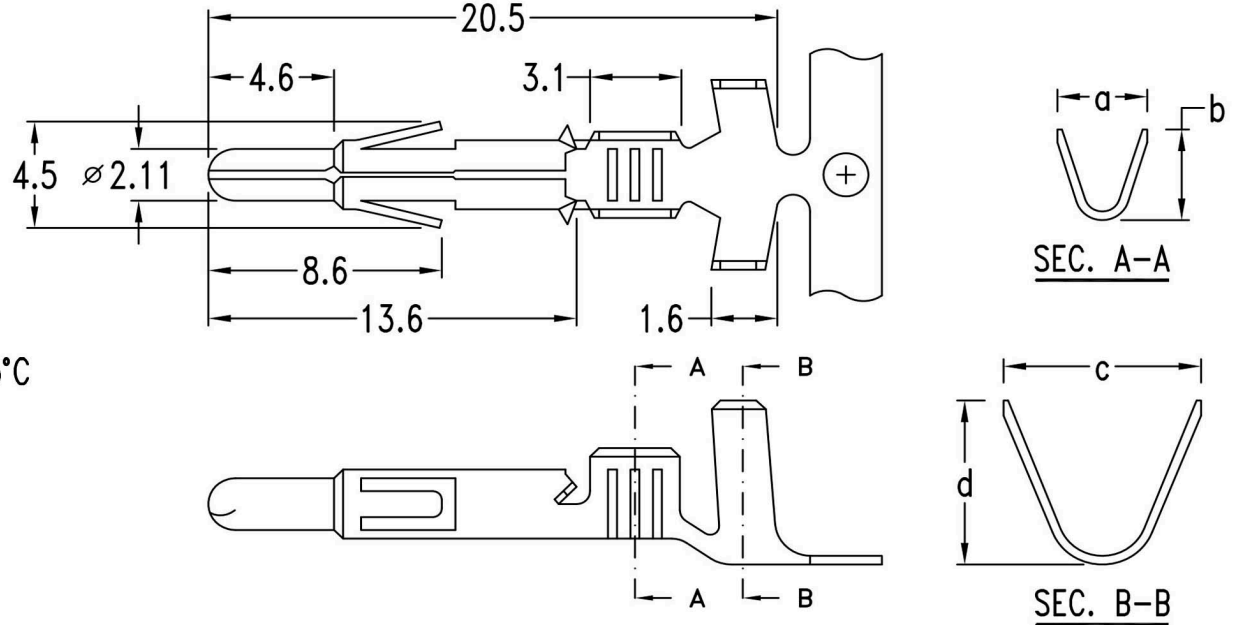


Features / Specifications:

- Used in H6351 series housing (1 ~ 5 circuits)
- Current rating: 13A
- Voltage rating: 600V
- Ambient temperature range: -55°C ~ 105°C



Ordering & Dimensional Information (mm)

Part No.	Dimension				Wire range	Material	Thickness	Finish	
	a	b	c	d					
T6351-TBD00002R	2.3	2.4	3.3	3.4	#18 ~ #22	Brass	0.3mm	Tin-plated	
T6351-TBR00002R	2.9	3.5	4.5±0.4	4.5±0.4	#16 ~ #20				
T6351-SBD00002R	2.3	2.4	3.3	3.4	#18 ~ #22				
T6351-SBR00002R	2.9	3.5	4.5±0.4	4.5±0.4	#16 ~ #20				
									Contact area: Gold-flash Other: Tin-plated

RoHS Compliant		HSM 玄茂科技股份有限公司 HSUAN MAO TECHNOLOGY CO., LTD.	
APPD. 核准	SCALE 比例 参考	TOLERANCE .000 ± 0.05 .00 ± 0.15 .0 ± 0.25	PART NAME 品名 6.35mm TERMINAL MALE MATERIAL:BRASS FOR 1P~5P 5K/REEL ROHS
DWG. 製圖 Betty	UNIT 單位 M M	SIZE. 紙張尺寸 A 4	PART NO. 料號 T6351-XB(D,R)00002R
DATE 制表日 2022/09/26	PAGE 張數 1 OF 1	REV. 版次 B	