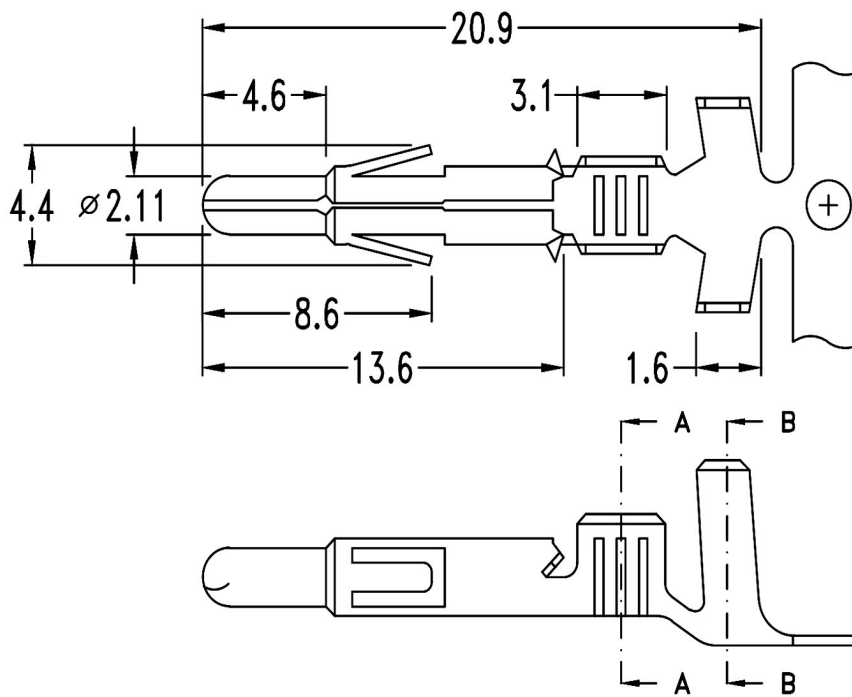


### Features / Specifications:

- Used in H6351 series housing ( 1 ~ 5 circuits )
- Current rating: 13A
- Voltage rating: 600V
- Ambient temperature range: -55°C ~ 105°C



SEC. A-A

SEC. B-B

### Ordering & Dimensional Information ( mm )

Part No.	Dimension				Wire range	Material	Thickness	Finish
	a	b	c	d				
T6351-TBQ00000R	3.3	4.1	6.7±0.4	5.9±0.4	#12 ~ #14	Brass	0.3mm	Tin-plated
T6351-SBQ00000R	3.3	4.1	6.7±0.4	5.9±0.4	#12 ~ #14			Contact area: Gold-flash Other: Tin-plated

RoHS Compliant		<b>HSM</b> 玄茂科技股份有限公司 HSUAN MAO TECHNOLOGY CO., LTD.	
APPD. 核准		TOLERANCE .000 ± 0.05 ( mm )	PART NAME 品名
DWG. 製圖	Betty	SCALE 比例 參考 .00 ± 0.15 ( mm ) .0 ± 0.25 ( mm )	6.35mm TERMINAL MALE
DATE 制表日	2018/09/27	UNIT 單位 M M	MATERIAL: BRASS
		PAGE 張數 1 OF 1	WIRE RANGE: 12~14AWG ROHS
		REV. 版次 A	PART NO. T6351-XBQ00000R
			料號