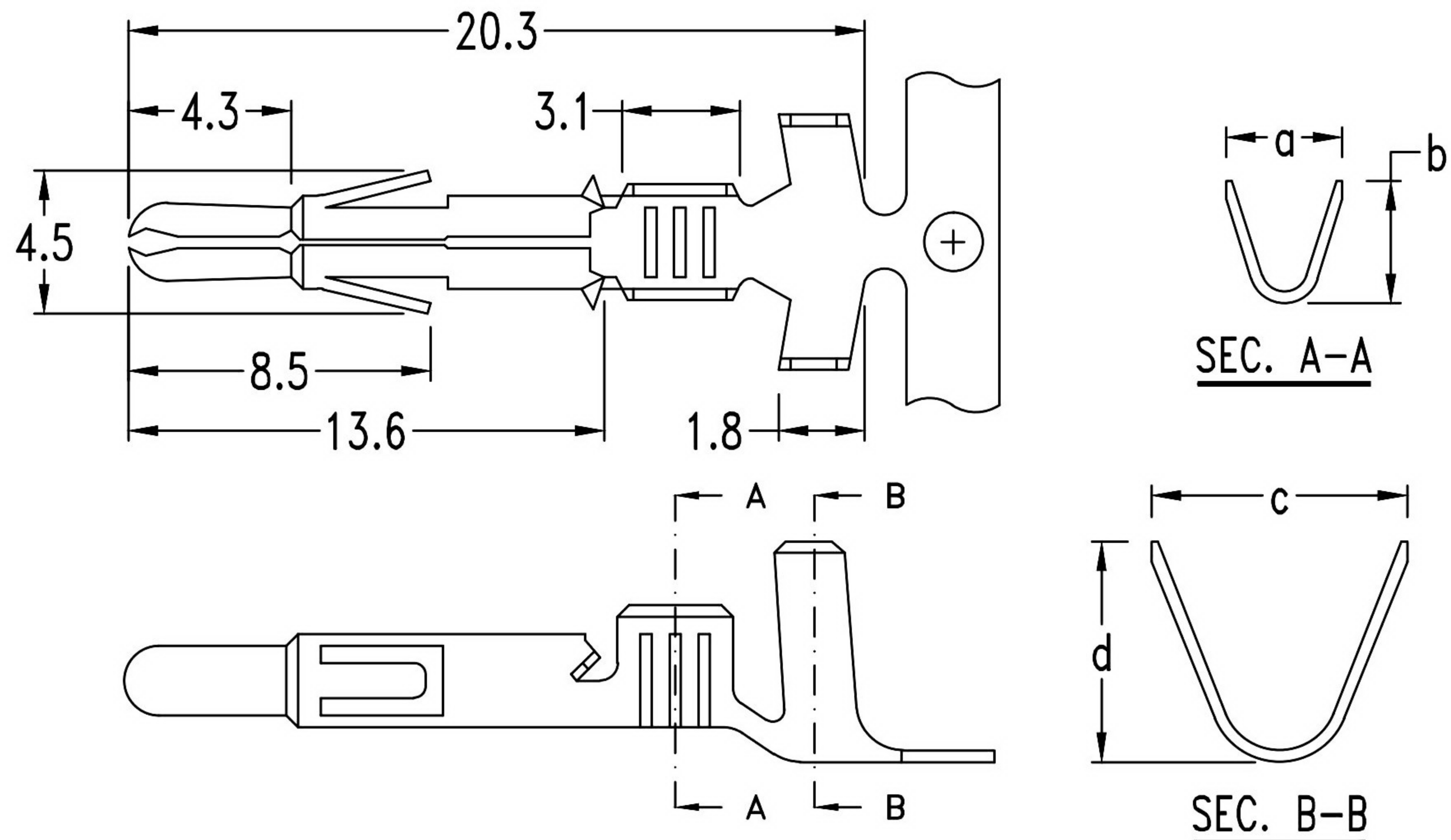


### Features / Specifications:

- Used in H6351 series housing ( 6 ~ 15 circuits )
- Current rating: 11A
- Voltage rating: 600V
- Ambient temperature range: -55°C ~ 105°C



### Ordering & Dimensional Information ( mm )

Part No.	Dimension				Wire range	Material	Thickness	Finish
	a	b	c	d				
T6351-TBR00003R	2.9	3.5	4.5±0.4	4.5±0.4	#16 ~ #20	Brass	0.3mm	Tin-plated
T6351-SBR00003R	2.9	3.5	4.5±0.4	4.5±0.4	#16 ~ #20			Contact area: Gold-flash Other: Tin-plated

<b>RoHS Compliant</b>		<b>HSM 玄茂科技股份有限公司</b> <b>HSUAN MAO TECHNOLOGY CO., LTD.</b>	
APPD. 核准 DWG. 製圖 HELEN DATE 制表日 2018/8/28	SCALE 比例 參考 UNIT 單位 MM PAGE 張數 1 OF 1	TOLERANCE 容許公差 .000 ± 0.05 .00 ± 0.15 .0 ± 0.25 SIZE. 紙張尺寸 A 4 REV. 版次 A	PART NAME 品名 6.35mm TERMINAL MALE BRASS,(TIN OR SELECTIVE GOLD) PLATED 16~20AWG DISTANCE OF EACH TERMINAL=11mm 5K/ROLL FOR 6P~15P ROHS PART NO. 料號 T6351-XBR00003R