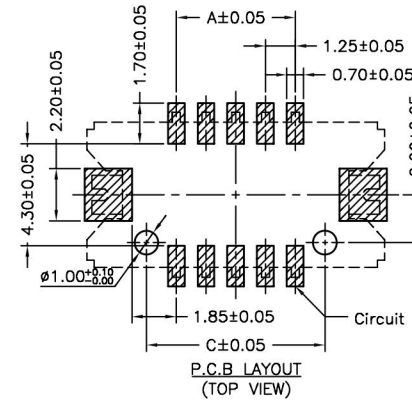
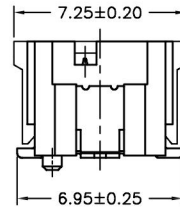
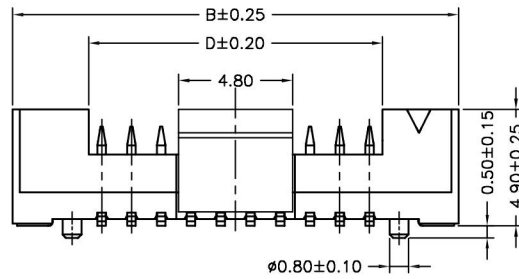
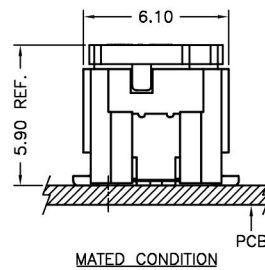
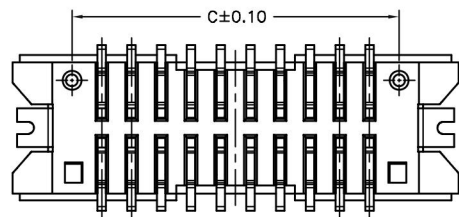


SPECIFICATIONS
 Current Rating: 1A AC,DC
 Voltage Rating: 150V AC,DC
 Temperature Range: -25°C ~ +85°C
 Contact Resistance: 30mΩ Max.
 Insulation Resistance: 500MΩ Min.
 Withstanding Voltage: 500V AC/minute
 Pin Material: Brass
 Solder Tabs: Brass
 Wafer: Nylon 6T,UL94V-0
 Cap: Nylon 6T,UL94V-0,Natural(Beige)



Circuit No.	Dimensions			
	A	B	C	D
2X05P	5.00	12.50	7.50	6.10
2X06P	6.25	13.75	8.75	7.35
2X07P	7.50	15.00	10.00	8.60
2X10P	11.25	18.75	13.75	12.35
2X15P	17.50	25.00	20.00	18.60
2X17P	20.00	27.50	22.50	21.10
2X18P	21.25	28.75	23.75	22.35
2X20P	23.75	31.25	26.25	24.85
2X21P	25.00	32.50	27.50	26.10
2X25P	30.00	37.50	32.50	31.10



**RoHS
Compliant**

HSM 玄茂科技股份有限公司
Hsuan Mao Technology Co., LTD.

APPD. BETTY
 DWG. KAREN
 DATE 2015/08/28

SCALE 參考
 UNIT mm
 PAGE 1/2

TOLERANCE
 .0 ±0.25
 .00 ±0.15
 ANG. ±
 SIZE. A 4
 REV. B

PART NAME 品名
 1.25mm WAFER SMT TYPE XXP(2*XXP) GOLD
 FLASH BEGIE COLOR REEL PACKING ROHS
 PART NO. W1350-XXPDGRCOR
 料號