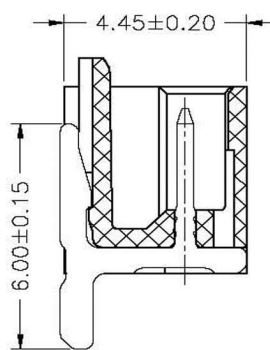
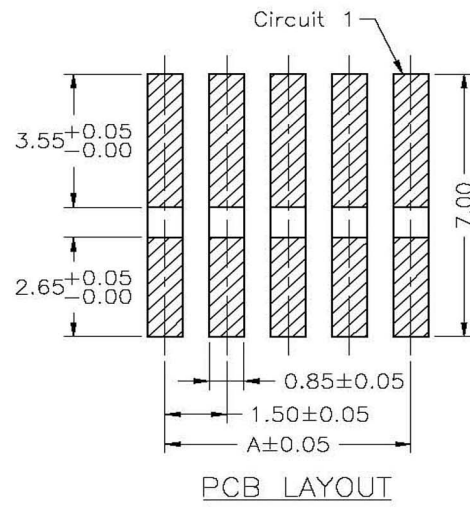
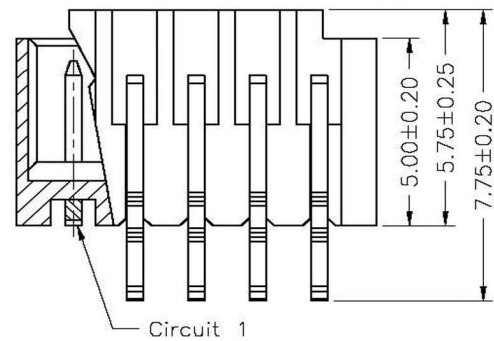
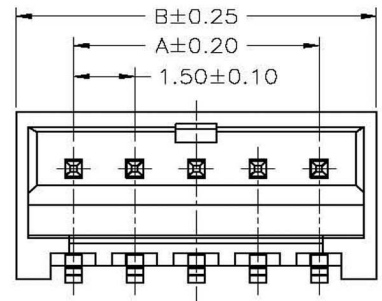
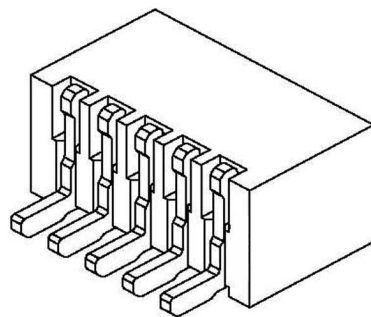


1 2 3 4 5 6 7 8

A
B
C
D
E
F
G
H



SPECIFICATIONS
 Current Rating: 3A AC,DC
 Voltage Rating: 350V AC,DC
 Temperature Range: -25°C ~ +85°C
 Contact Resistance: 20mΩ Max.
 Insulation Resistance: 1000MΩ Min.
 Withstanding Voltage: 500V AC/minute
 Pin Material: Brass/Tin-plated
 Material: Nylon 6T,UL94V-0
 Color: Natural(Beige)

Dimensions

CONTACT NO.	Dimensions	
	A	B
02P	1.50	4.30
03P	3.00	5.80
04P	4.50	7.30
05P	6.00	8.80
06P	7.50	10.30
07P	9.00	11.80
08P	10.50	13.30
09P	12.00	14.80
10P	13.50	16.30
11P	15.00	17.80
12P	16.50	19.30
13P	18.00	20.80
14P	19.50	22.30
15P	21.00	23.80

RoHS Compliant		HSM 玄茂科技股份有限公司 HSUAN MAO TECHNOLOGY CO., LTD.	
APPD. 核准 Ivy		TOLERANCE 容許公差 .0 ± 0.25 .00 ± 0.15 ANG. ±	PART NAME 品名 1.50mm WAFER XXXP SMT TYPE 90°TIN PLATING IVORY COLORREEL PACKING ROHS LOW-LEAD
DWG. 製圖 Yumi	SCALE 比例 參考 UNIT 單位 M M PAGE 張數 1 OF 1	SIZE. 紙張尺寸 A 4 REV. 版次 A	PART NO. 料號 W1601-XXPBTXI0R
DATE 制表日 2007/08/31			

1 2 3 4 5 6 7 8