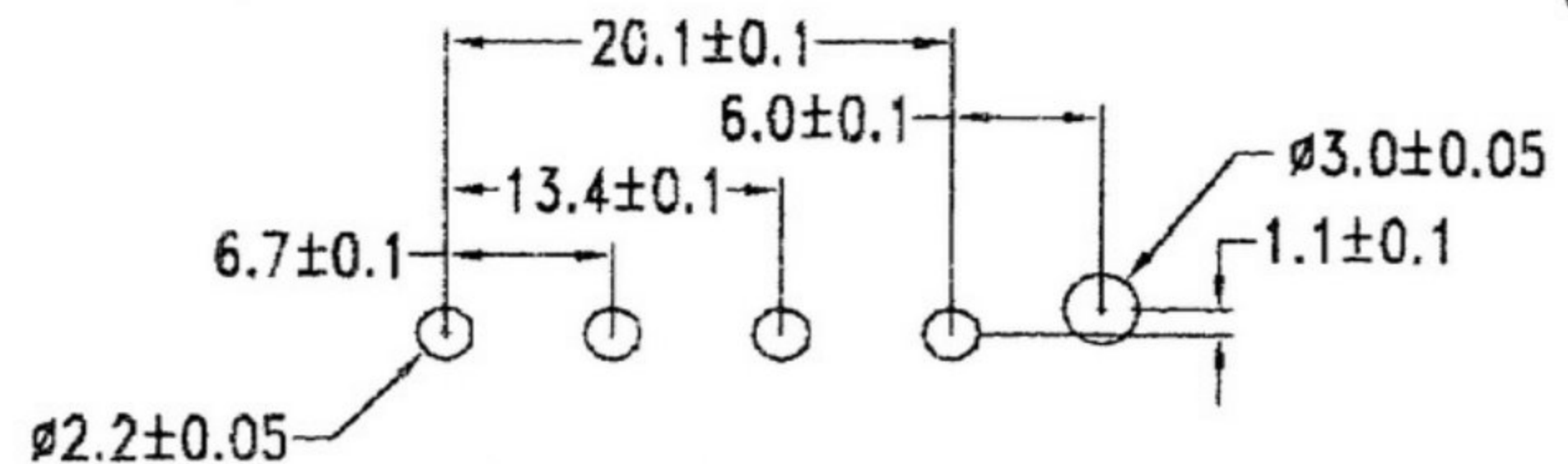
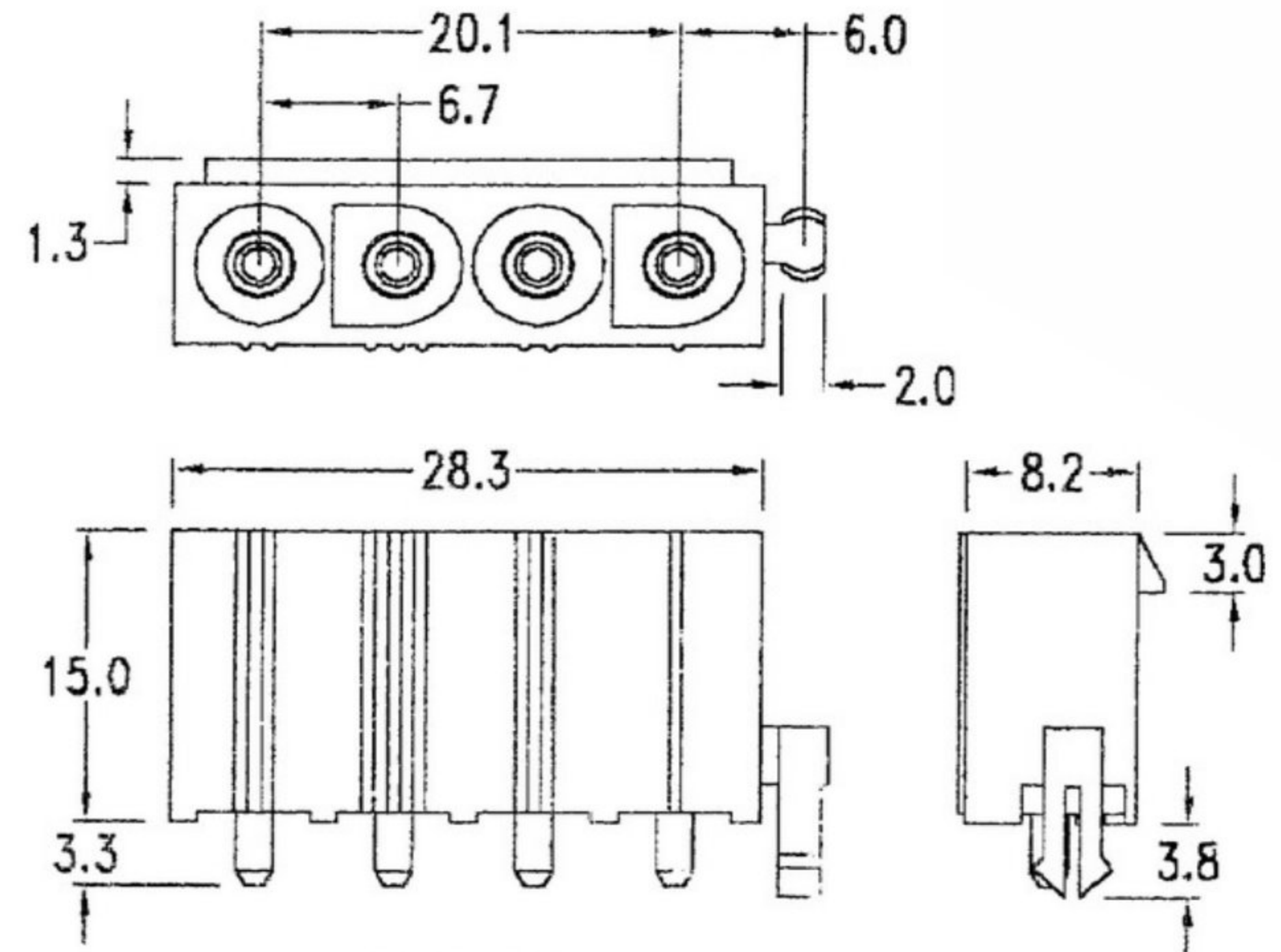


Features:

- Insulation material: UL 94V-2 nylon 66
- Contact material: Tin-plated brass
- Standard color: Nature

Specifications:

- Current rating: 9A AC, DC
- Voltage rating: 600V AC, DC
- Dielectric withstanding voltage: 5000V AC rms
- Ambient temperature range: -40°C ~ 105°C
(Including temperature rise)



P. C. board hole dimensions

RoHS Compliant		HSM 玄茂科技股份有限公司 HSUAN MAO TECHNOLOGY CO., LTD.	
APPD. 核准		TOLERANCE .000 ± 0.05	PART NAME 品名
DWG. 製圖 HELEN	SCALE 比例 參考	.00 ± 0.15	6.7mm WAFER STRAIGHT 1X4P WITH POLARIZING FEATURE MATERIAL:V-2 WHITE COLOR TIN PLATING ROHS LOW-LEAD
DATE 制表日 2010/9/29	UNIT 單位 MM	.0 ± 0.25	PART NO. 料號 W6670-04PSTYW0R
	PAGE 張數 1 OF 1	SIZE 紙張尺寸 A4	
		REV. 版本 A	