

Features:

- 2 ~ 7 circuits available
- .045"(1.14mm) square pin
- Tin-plated brass pin. Plating options available
- Mates with ALEX 8099 housing
- Polarization through varied center spacing between circuit 1 and 2

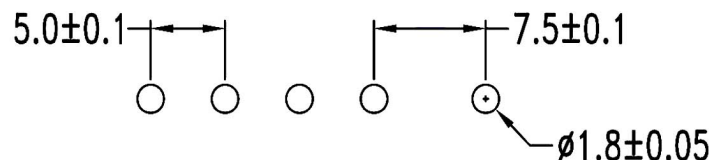
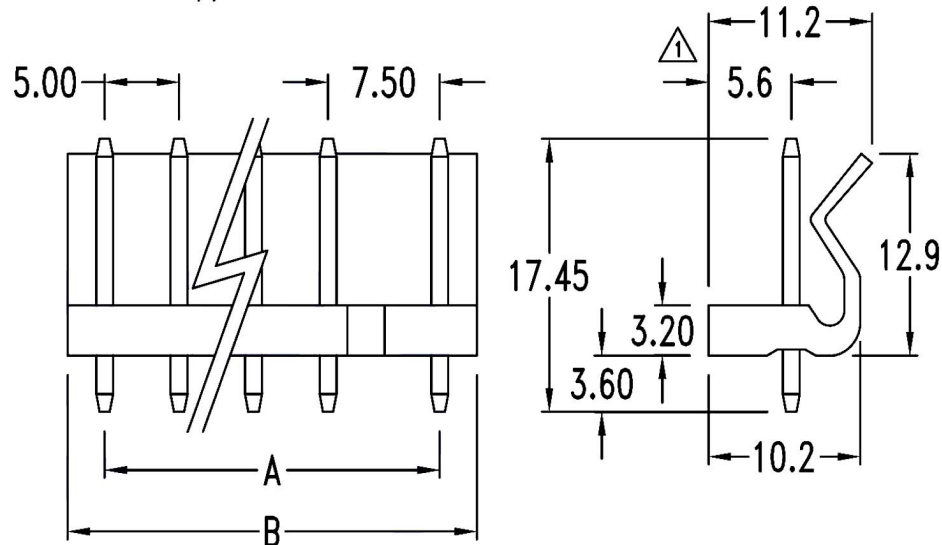
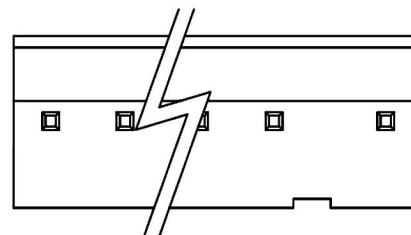
Material
UL 94V-2

Specifications:

- Current rating: 7A AC, DC
- Voltage rating: 250V AC, DC
- Contact resistance: 20mΩ Max.
- Dielectric withstanding voltage: 1500V AC/minute
- Ambient temperature range: -40°C ~ 105°C

Dimensional Information (mm)

Circuits	Dim. A	Dim. B	Circuits	Dim. A	Dim. B
2	7.5	12.5	5	22.5	27.5
3	12.5	17.5	6	27.5	32.5
4	17.5	22.5	7	32.5	37.5



P. C. Board Hole Dimensions

RoHS Compliant		HSM 玄茂科技股份有限公司 HSUAN MAO TECHNOLOGY CO., LTD.	
APPD. 核准		UNLESS OTHERWISE SPECIFIED TOLERANCE .000 ± 0.08 (mm) .00 ± 0.25 (mm) .0 ± 0.4 (mm)	PART NAME 品名 7.5-5.0mm WAFER 1XXXP STRAIGHT TYPE WITH BACK WHITE COLOR NYLON 66 UL94V-2 ROHS
DWG. 製圖	Betty	SCALE 比例 參考	PART NO. 料號 W7511-XXPSYATWR
DATE 制表日	2018/09/27	UNIT 單位 M M	
		PAGE 張數 1 OF 1	
		SIZE. 紙張尺寸 A 4	
		REV. 版次 A	